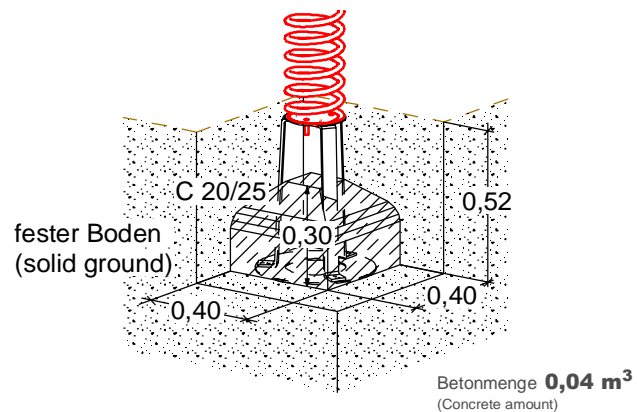


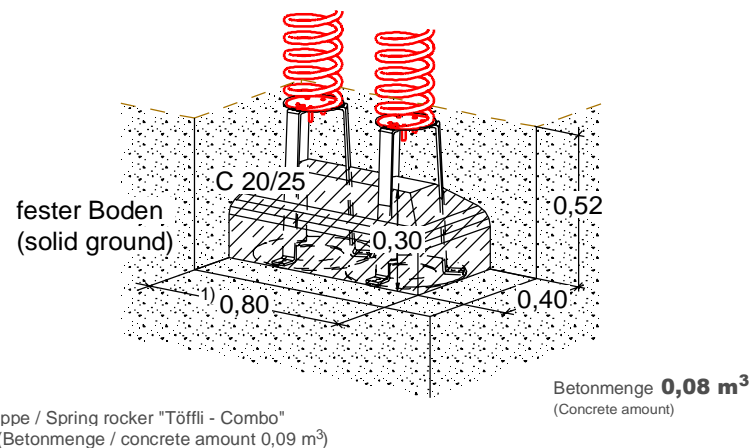
**1 Feder 200er | Erdanker EA01**

(1 spring 200 | Ground anchor EA01)



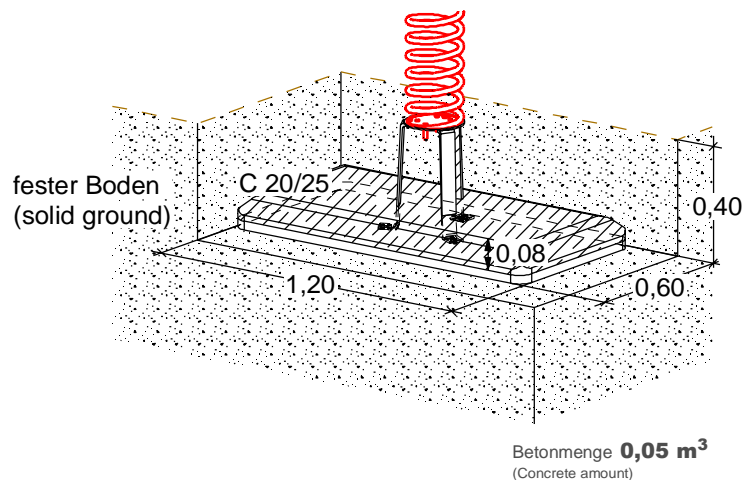
**2 Federn 200er | Erdanker EA01**

(2 springs 200 | Ground anchors EA01)



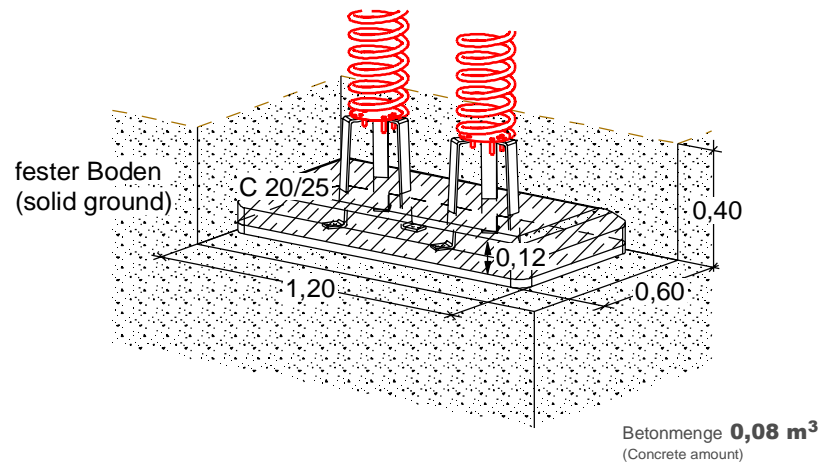
**1 Feder 200er | Erdanker EA01H**

(1 spring 200 | Ground anchor EA01H)



**2 Federn 200er | Erdanker EA01H**

(2 springs 200 | Ground anchors EA01H)



**FUNDAMENTPLAN**  
(FOUNDATION PLAN)

**Erdanker Federwippe | Einbautiefe 0,52 m (EA01) | Einbautiefe 0,40 m (EA01H)**

Ground anchor for Spring rocker | Mounting depth 0,52 m (EA01) / Mounting depth 0,40 m (EA01H)

**CGO-100-020-M00-0201 / -020H**

Bodenarten siehe DIN EN 1176-1-2017-12(D) Tabelle I.1  
(Soil types for installation outside Germany see DIN EN 1176-1-2017-12 Table 4)

**DIN A4 / M 1:25**

Maßangaben in Meter  
(Dimensions in meters)

Techn. Änderungen vorbehalten.  
(Technical modifications reserved.)

Geändert (Amended)

M.J. 05.12.2019  
Erstellt (Created)

